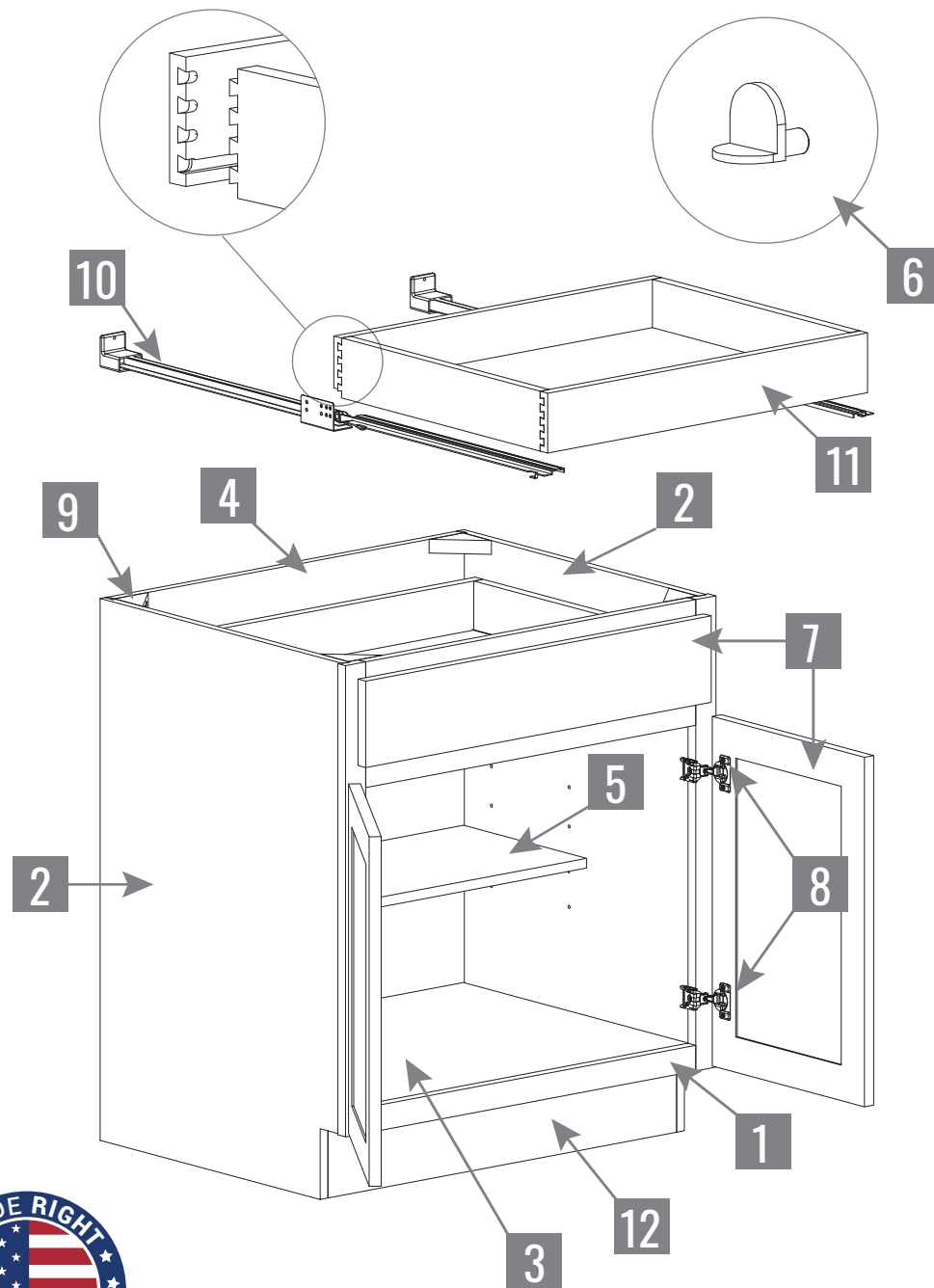


The **RIGHT** Features at the **RIGHT** Price!



1-FACE FRAME	7-DOOR & DRAWER FRONTS
3/4" Solid Maple	3/4" x 2-1/4" Solid Maple frames 1/4" veneer center panel 3/4" Solid Maple drawer front
2-END PANELS	8-HINGES
1/2" Plywood w/veneer exterior finished to match face frame	6-way adjustable concealed hinges <i>*optional soft close</i>
3-FLOOR & CEILING PANELS	9-CORNER BRACES
1/2" Particle Board natural maple vinyl	Plastic corner braces
4-BACK PANEL	10-DRAWER GLIDES
3/8" Particle board natural maple vinyl	3/4" Extension under mount epoxy coated drawer glides <i>*optional soft close</i>
5-SHELVES	11-DRAWER BOX
5/8" Edge-banded particle board with laminate finish	5/8" Veneered plywood dovetailed w/ 1/4" bottom
6-SHELF SUPPORTS	12-TOE KICK
Metal shelf clips	4-1/2" High particle board

Kitchen Cubes Cabinetry is **Made RIGHT in the USA!**